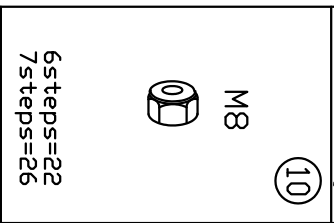
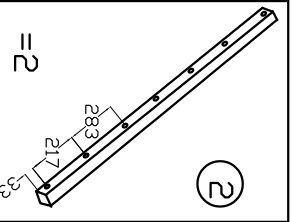
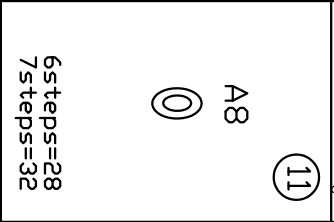
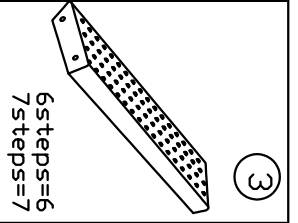
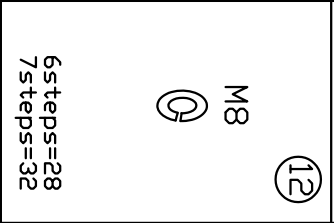
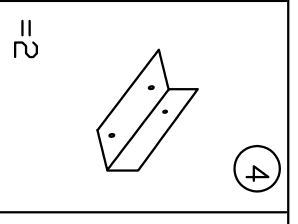
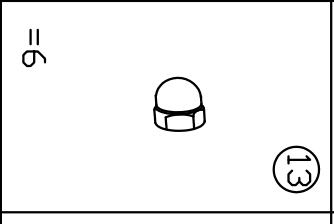
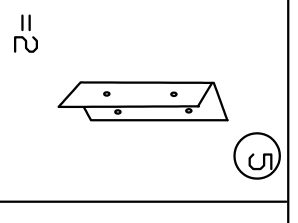
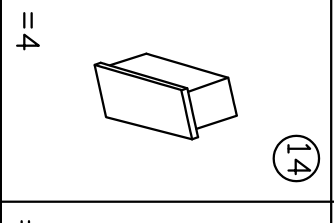
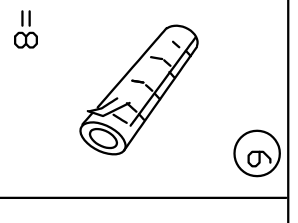
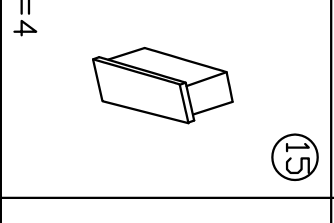
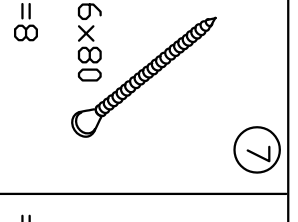
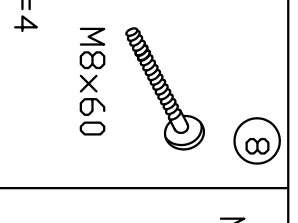
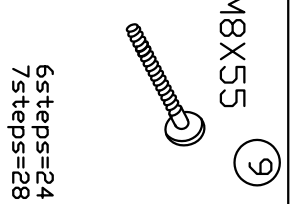
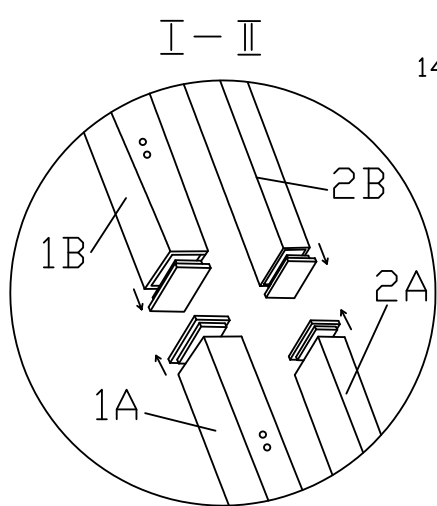
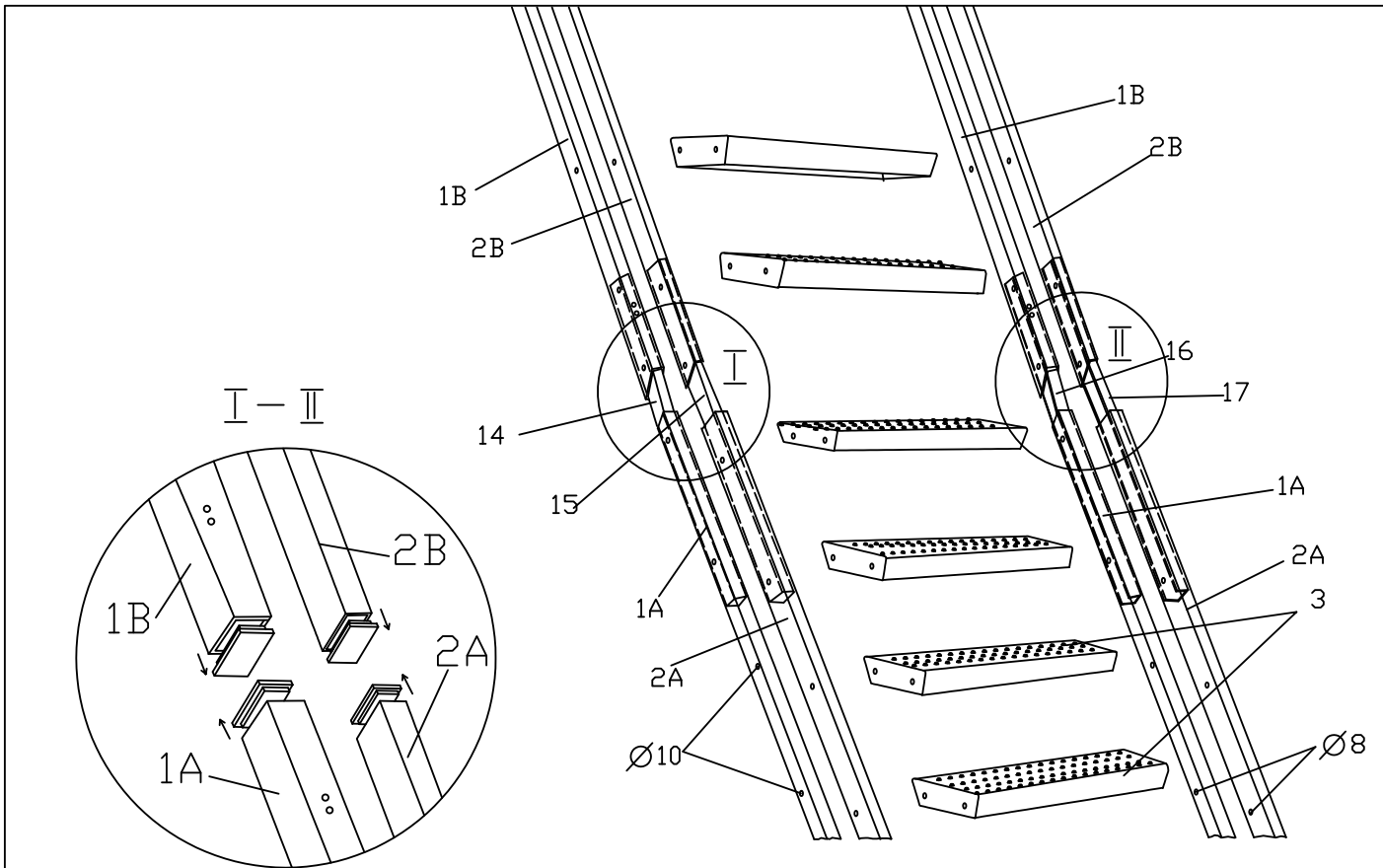
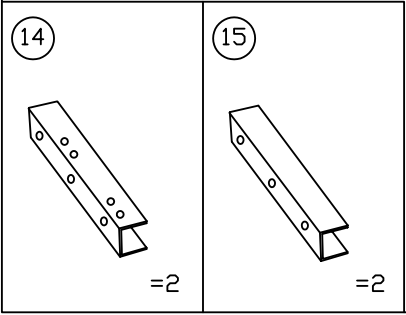
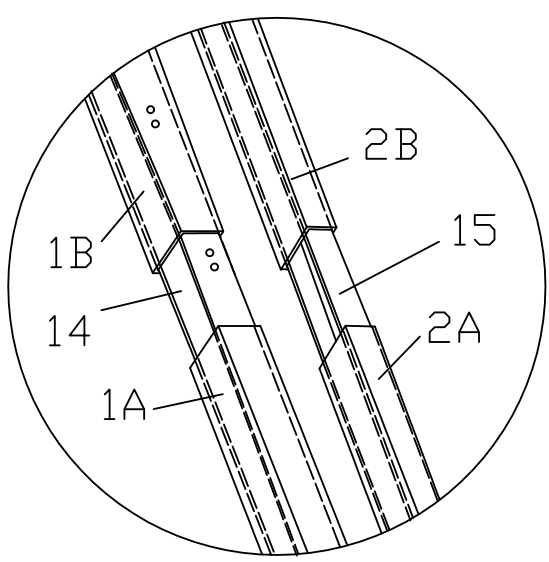
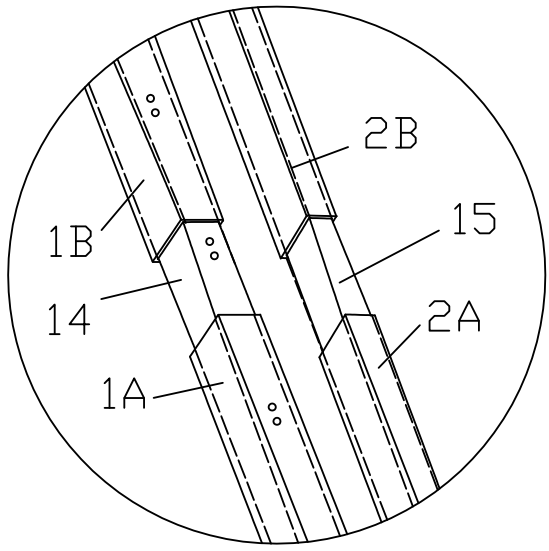
 <p>① =2 6steps=22 7steps=26</p>	 <p>⑩ M8</p>	 <p>② =2 6steps=28 7steps=32</p>	 <p>⑪ A8</p>	 <p>③ 6steps=6 7steps=7</p>	 <p>⑫ M8</p>	 <p>④ =6</p>	 <p>⑬</p>	 <p>⑤ =2 6steps=2 7steps=4</p>	 <p>⑭</p>	 <p>⑥ =8 6steps=8 7steps=4</p>	 <p>⑮</p>	 <p>⑦ 6x80 =8 6steps=8 7steps=4</p>		 <p>⑧ M8x60 =4 6steps=24 7steps=28</p>		 <p>⑨ M8x55 6steps=24 7steps=28</p>	
---	--	---	--	--	--	--	--	---	---	---	---	--	--	---	--	--	--

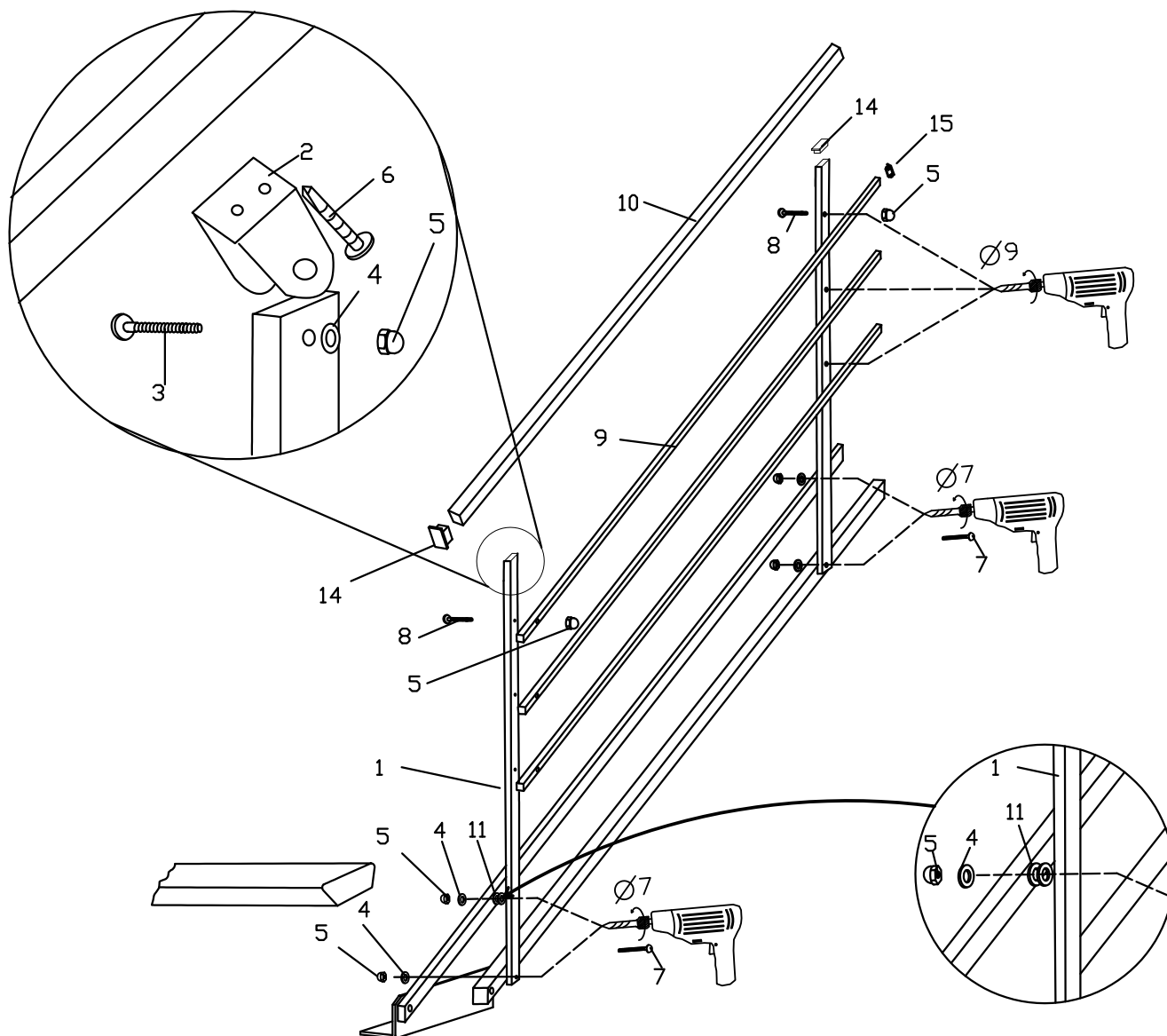


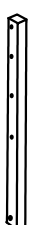
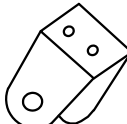




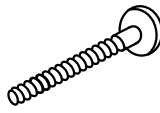

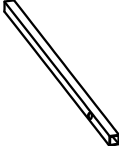
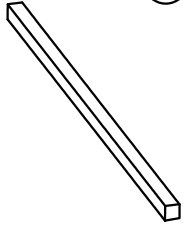



I

II

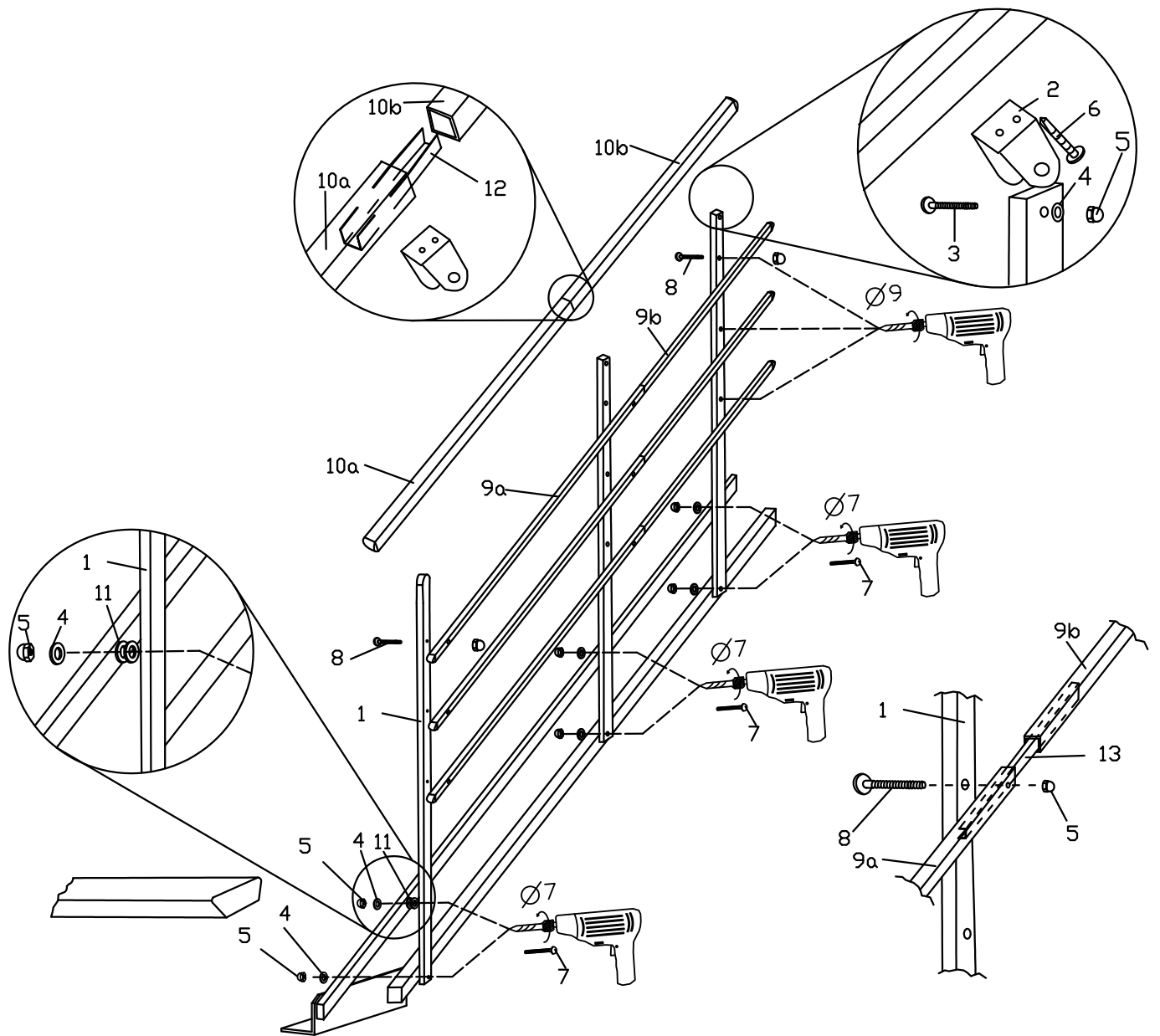


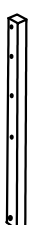
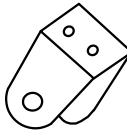




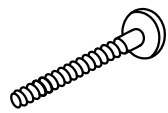

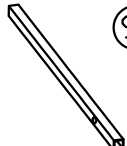
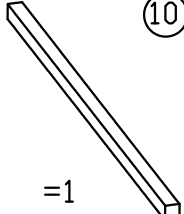

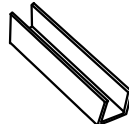
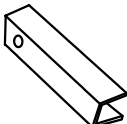
# Balustrada pentru 6/7 trepte



 <p>① =2</p>	 <p>② =2</p>	 <p>③ M6X45 =2</p>	 <p>④ A6 =6</p>	 <p>⑤ M6 =12</p>	 <p>⑥ =4</p>	 <p>⑦ M6x80 =4</p>
 <p>⑧ M6x60 =6</p>	 <p>⑨ =3</p>	 <p>⑩ =1</p>	 <p>⑪ =4</p>	 <p>⑭ =6</p>	 <p>⑮ =6</p>	

# Balustrada pentru 14 trepte



 <p>① =3</p>	 <p>② =3</p>	 <p>③ M6X45 =3</p>	 <p>④ A6 =9</p>	 <p>⑤ M6 =18</p>	 <p>⑥ =6</p>	 <p>⑦ M6x80 =6</p>
 <p>⑧ M6x60 =9</p>	 <p>⑨ =3 a=1945mm b=2087mm</p>	 <p>⑩ =1 a=1936mm b=2190mm</p>	 <p>⑪ =6</p>	 <p>⑫ =1</p>	 <p>⑬ =3</p>	